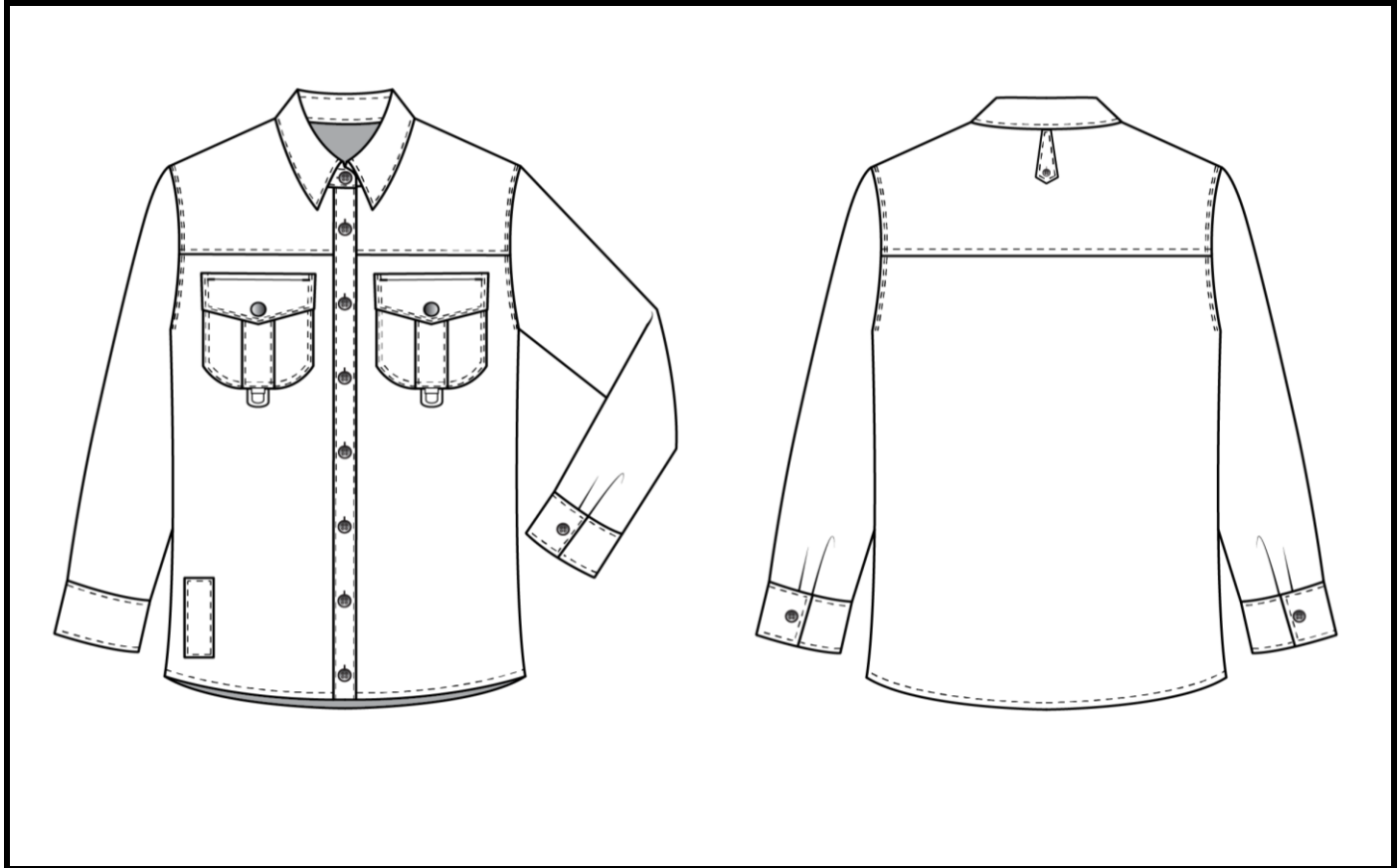


SPECIFICATIONS LEAD SHEET

| | | | |
|---------------|------------------------------|--------------|-----------------------------|
| STYLE NUMBER: | 5100 | SIZE RANGE: | S-XL |
| PROTO NUMBER: | 1 | SAMPLE SIZE: | M |
| MAIN LABEL: | | SEASON: | SS 2023 |
| CONTENT: | 55% Hemp, 45% Organic Cotton | CATEGORY: | menswear, outerwear |
| CARE: | Wash in cold, hang dry | DESCRIPTION: | Long sleeve button up shirt |



| | | | |
|----------------|------------------------------|-----------|--------------|
| SELF FABRIC: | 55% Hemp, 45% Organic Cotton | SUPPLIER: | MOOD Fabrics |
| CONTRAST 1: | | SUPPLIER: | |
| CONTRAST 2: | | SUPPLIER: | |
| CONTRAST 3: | | SUPPLIER: | |
| CONTRAST 4: | | SUPPLIER: | |
| LINING 1: | | SUPPLIER: | |
| LINING 2: | | SUPPLIER: | |
| POCKETING: | 55% Hemp, 45% Organic Cotton | SUPPLIER: | Mood Fabrics |
| INTERFACING 1: | | SUPPLIER: | |
| INTERFACING 2: | | SUPPLIER: | |
| INTERFACING 3: | | SUPPLIER: | |
| TRIM 1: | 4-Hole, Plastic button | SUPPLIER: | Wawak Sewing |
| TRIM 2: | Matte black snap on button | SUPPLIER: | Wawak Sewing |
| TRIM 3: | Antique brass D-Ring | SUPPLIER: | Wawak Sewing |
| TRIM 4: | Contrast sew on patch | SUPPLIER: | Shopify |
| TRIM 5: | Arctic Descent hangtag | SUPPLIER: | Shopify |
| TRIM 6: | Wash and care label | SUPPLIER: | Shopify |

LABEL PLACEMENT SHEET

STYLE NUMBER: 5100

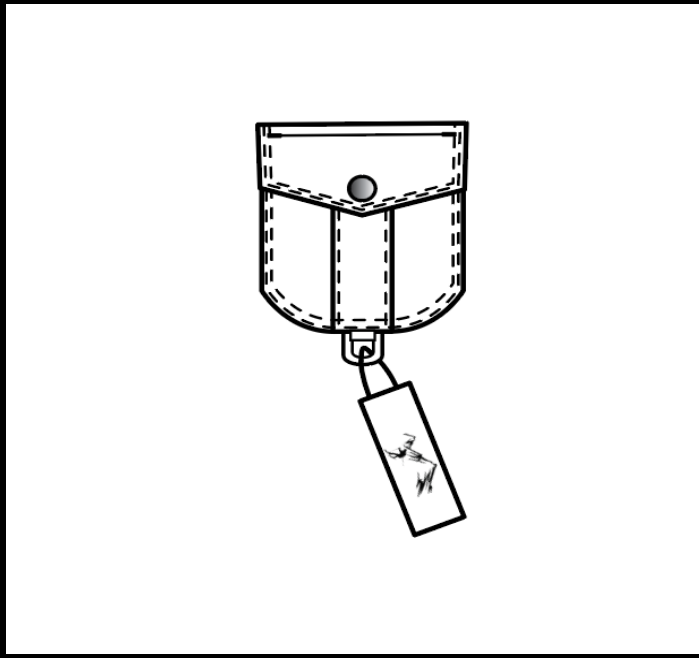
SIZE RANGE: S-XL

PROTO NUMBER: 1

SAMPLE SIZE: M

DESCRIPTION: Long sleeve button up shirt

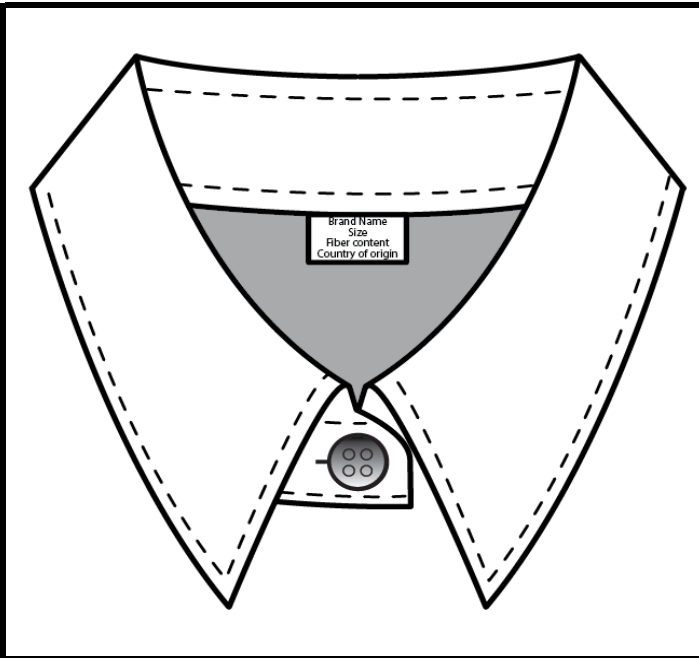
SEASON: SS 2023



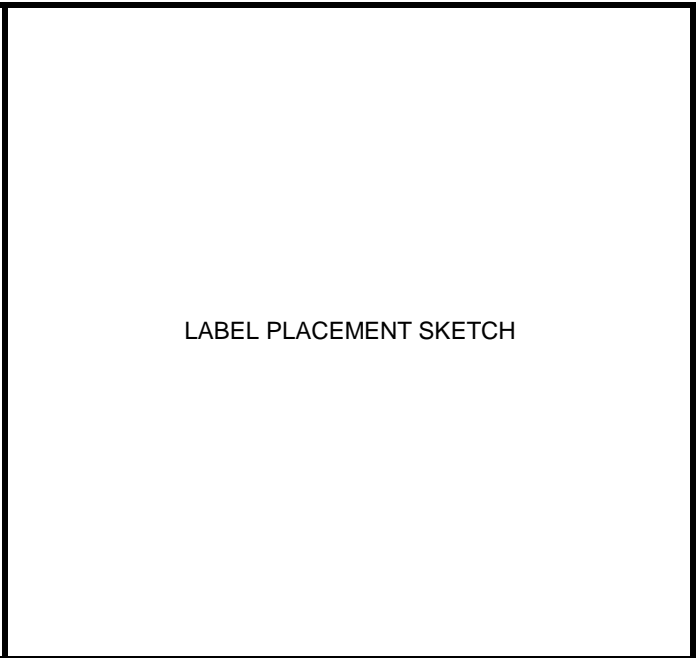
LABEL: Arctic Descent hangtag
Attached to right pocket D-Ring



LABEL: Care label
Left side seam 4" above hem



LABEL: Brand name, size, fiber content, country of origin
Below collar on CB



LABEL:

BILL OF MATERIALS



| | | | | | |
|--------------|------------------------------|-------------|-------------|----------|-------------|
| STYLE #: | 5100 | FIT TYPE: | Classic | DESIGNER | Isaac Silva |
| FABRIC: | 55% Hemp, 45% Organic Cotton | SIZE RANGE: | S-XL | SEASON: | SS 2023 |
| SAMPLE SIZE: | M | STATUS: | Prototype-1 | | |

FABRIC

| ITEM | PLACEMENT | SUPPLIER | CONTENT | WIDTH / WEIGHT / SIZE | FINISH | YIELD | COST |
|-----------------|-----------------|--------------|------------------------------|-----------------------|------------|---------|---------|
| SELF FABRIC | Body | MOOD Fabrics | 55% Hemp, 45% Organic Cotton | 57" | pre-shrunk | 2 yds. | \$38.97 |
| BIAS BINDING | - | - | - | - | - | - | - |
| POCKETING | Front pockets | MOOD Fabrics | 55% Hemp, 45% Organic Cotton | 57" | pre-shrunk | 1/2 yd. | \$9.75 |
| THREAD-DTM BODY | Join & overlock | A & E | 100% Spun polyester | tex 30 | - | 1 spool | \$0.99 |
| THREAD-CONTRAST | Topstitch | A & E | 100% Spun polyester | tex 90 | - | 1 spool | \$1.99 |

HARDWARE

| ITEM | PLACEMENT | SUPPLIER | DESCRIPTION | WIDTH | FINISH | YIELD | COST |
|----------------------|--------------------------------|--------------|----------------------------|-------|---------------|-------|--------|
| CENTER FRONT BUTTON: | CF PLKT & Stand, Cuff Underlap | Wawak Sewing | 4-Hole, Plastic button | 20L | - | 10 | \$0.70 |
| EXTRA BUTTON: | Interior sideseam left side | Wawak Sewing | 4-Hole, Plastic button | 20L | - | 2 | \$0.14 |
| BUTTON: | Front pockets | Wawak Sewing | Matte black snap on button | 24L | Matte | 2 | \$0.20 |
| D-RING: | Front pockets | Wawak Sewing | Antique brass D-Ring | 1/2" | Antique brass | 2 | \$0.98 |
| PATCH: | CF Left | Shopify | Sew on patch | 2" | - | 1 | \$0.98 |

LABELING/ PACKAGING

| ITEM | PLACEMENT | SUPPLIER | DESCRIPTION | WIDTH | FINISH | YIELD | COST |
|----------------|---------------------------------|----------|---|-------------|--------|-------|--------|
| HANGTAG | Attached to right pocket D-Ring | Shopify | Arctic Descent Hangtag | 2" X 4" | matte | 1 | \$2 |
| INTERIOR LABEL | Left side seam 4" above hem | Shopify | Wash and care label | 1" X 3" | none | 1 | \$1 |
| | Below collar on CB | Shopify | Brand, Size, Fiber content, Country of origin | 1.5" X 1.5" | none | 1 | \$0.50 |

FABRIC SWATCHES:



CONSTRUCTION DETAILS SHEET

STYLE NUMBER: 5100

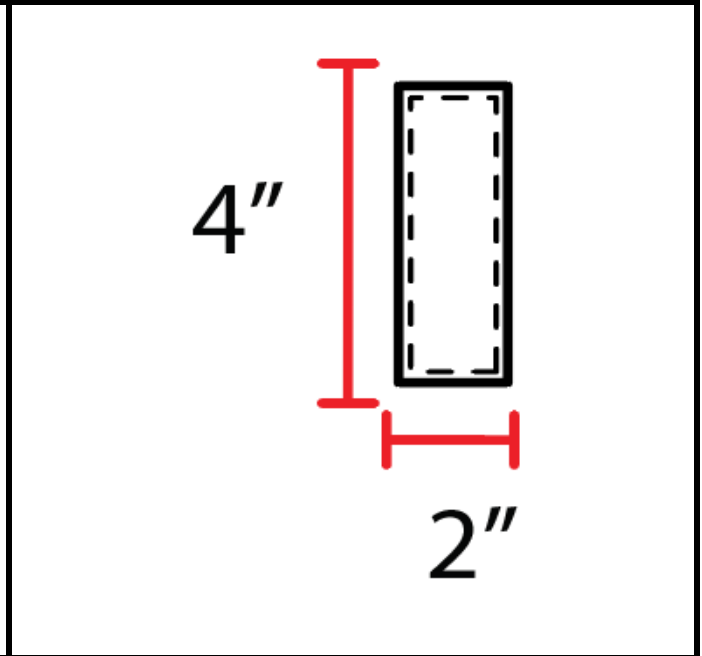
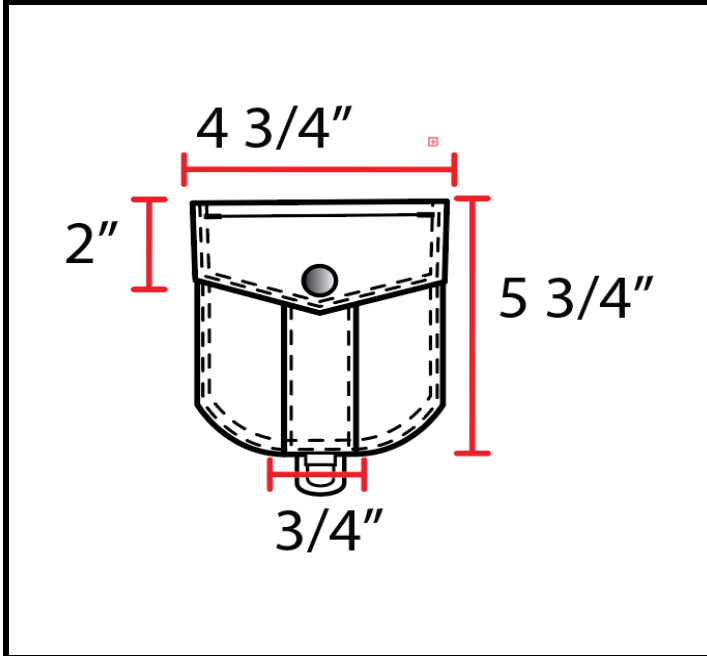
SIZE RANGE: S-XL

PROTO NUMBER: 1

SAMPLE SIZE: M

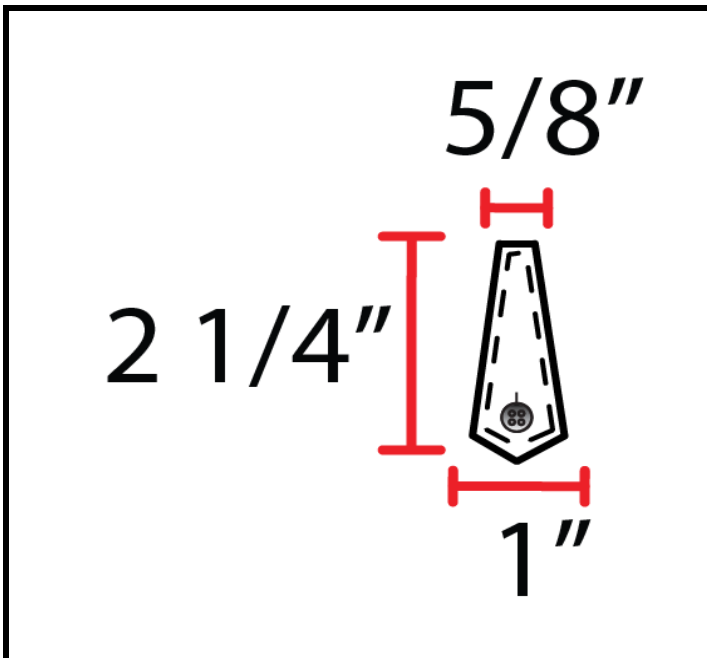
DESCRIPTION: Long sleeve button up shirt

SEASON: SS 2023



CONSTRUCTION DETAIL NUMBER & DESCRIPTION:
Front pockets with snap ons

CONSTRUCTION DETAIL NUMBER & DESCRIPTION:
Contrast patch



CONSTRUCTION DETAIL NUMBER & DESCRIPTION:
Vertical locker loop with black 4-Hole button

CONSTRUCTION DETAIL NUMBER & DESCRIPTION:

Construction Page

| STYLE #: 5100 | | FIT TYPE: Classic | | DESIGNER: Isaac Silva | |
|--|---------------------|------------------------------------|-----------------|-------------------------------------|--------------|
| FABRIC: 55% Hemp, 45% Organic Cotton | | SIZE RANGE: S-XL | | SEASON: SS 2023 | |
| Cutting Information: 1 way, lengthwise | | | | | |
| Stitches per Inch (SPI) 11 +/- 1 for joining, 8 +/- for topstitching | | | | | |
| AREA | DESCRIPTION | JOIN STITCH | SEAM FINISH | TOPSTITCH | INTER-LINING |
| FRNT & BCK | join & topstitch | single-needle lock | double-stitched | two needle lock (to match flatfell) | - |
| FRNT PLCKT | join & topstitch | single-needle lock | double-stitched | 1/4" | - |
| SLEEVES | join | 5-thread safety | 5-thread safety | 1/4" | - |
| COLLAR | folder-attached | two-needle chain | - | 1/4" | FUSIBLE |
| COLLAR STAND | join & topstitch | single-needle lock | - | 3/8" | - |
| YOKE | form & finish | 1/4" two-needle bottom coverstitch | | | - |
| BARTACKS | see detail sketches | - | - | 1/2" | - |
| FRONT POCKETS | see detail sketches | single-needle lock | | 1/4" | - |
| ARM HOLE | join & topstitch | single-needle lock | double-stitched | 1/4" | - |
| BOTTOM OPENING | hem | single-needle lock | clean finish | 1/2" | - |
| CLOSURES | | | | | |
| BUTTON, FRNT PLCKT, LOCKER LOOP | Buttonhole, keyhole | - | clean finish | 1/4" | - |
| BUTTONHOLE | Buttonhole, keyhole | - | - | - | - |
| CUFFS | join & topstitch | single-needle lock | - | 1 row, 1/4" | FUSIBLE |
| FRNT POCKETS | join & topstitch | single-needle lock | double-stitched | 2 rows, 1/4" | - |
| COLLAR STAND | CF edge, topstitch | single-needle lock | - | 1/16" | FUSIBLE |

COLORWAYS SHEET

| | |
|---|-------------------------|
| STYLE NUMBER: <u>5100</u> | SIZE RANGE: <u>S-XL</u> |
| PROTO NUMBER: <u>1</u> | SAMPLE SIZE: <u>M</u> |
| DESCRIPTION: <u>Long sleeve button up shirt</u> | SEASON: <u>SS 2023</u> |

| MATERIAL | DESCRIPTION | COLORWAY #1 | COLORWAY #2 | COLORWAY #3 | COLORWAY #4 |
|----------------|-------------------------------|-------------------|---------------|---------------------------|-------------|
| SELF FABRIC: | 55% Hemp, 45% Organic Cotton | Olive 18-0328 TCX | Black 419 | Soft Chambray 16-4016 TCX | |
| THREAD 1: | 100% Spun polyester | Olive | Black | Light blue gray | |
| THREAD 2: | 100% Spun polyester | Dark Olive | Black | Blue gray | |
| THREAD 3: | | | | | |
| CONTRAST 1: | | | | | |
| CONTRAST 2: | | | | | |
| CONTRAST 3: | | | | | |
| CONTRAST 4: | | | | | |
| LINING 1: | | | | | |
| LINING 2: | | | | | |
| POCKETING: | 55% Hemp, 45% Organic Cotton | Olive 18-0328 TCX | Black 419 | Soft Chambray 16-4016 TCX | |
| INTERFACING 1: | | | | | |
| INTERFACING 2: | | | | | |
| INTERFACING 3: | | | | | |
| TRIM 1: | 4-Hole, plastic button | Black | Black | Black | |
| TRIM 2: | Matte black snap on button | Black | Black | Black | |
| TRIM 3: | Antique brass D ring | Antique brass | Antique brass | Antique brass | |
| TRIM 4: | Contrast patch for FRNT RIGHT | Khaki | Gray | White Alyssum | |
| TRIM 5: | | | | | |
| TRIM 6: | | | | | |
| EMBROIDERY: | | | | | |
| BEADING: | | | | | |
| APPLIQUE: | | | | | |
| STITCHING: | | | | | |

SAMPLE TRACKING SHEET

| | | | |
|---------------|-----------------------|--------------|---------|
| STYLE NUMBER: | 5100 | SAMPLE SIZE: | M |
| DESCRIPTION: | Long sleeve button up | SEASON: | SS 2023 |

| | | | |
|--|--|---------------------------------------|-----------|
| TYPE OF SAMPLE: | First prototype | DATE SAMPLE RECEIVED: | 6/29/2022 |
| FIT NOTES: | _____ | APPROVED? | YES NO |
| | _____ | | |
| CONSTRUCTION NOTES: | Adjust distance from pocket to front yoke seam remove 1/2" | APPROVED? | YES NO |
| | Adjust sleeve length 1/2" Add collar height 3/8" | | |
| MATERIALS NOTES: | Fabric was not laundered 60 mins. Finish | APPROVED? | YES NO |
| OTHER NOTES: | Move buttons down placket 1/4" | APPROVED? | YES NO |
| | _____ | | |
| ACTION: | SAMPLE APPROVED AS IS | REQUEST NEW SAMPLE WITH ABOVE CHANGES | |
| DATE APPROVAL OR REQUEST COMMUNICATED: | 6/30/2022 | | |

| | | | |
|--|-----------------------|---------------------------------------|----------|
| TYPE OF SAMPLE: | Second prototype | DATE SAMPLE RECEIVED: | 7/7/2022 |
| FIT NOTES: | _____ | APPROVED? | YES NO |
| | _____ | | |
| CONSTRUCTION NOTES: | _____ | APPROVED? | YES NO |
| | _____ | | |
| MATERIALS NOTES: | _____ | APPROVED? | YES NO |
| OTHER NOTES: | _____ | APPROVED? | YES NO |
| | _____ | | |
| ACTION: | SAMPLE APPROVED AS IS | REQUEST NEW SAMPLE WITH ABOVE CHANGES | |
| DATE APPROVAL OR REQUEST COMMUNICATED: | 7/8/2022 | | |

| | | | |
|--|-----------------------|---------------------------------------|--------|
| TYPE OF SAMPLE: | | DATE SAMPLE RECEIVED: | |
| FIT NOTES: | _____ | APPROVED? | YES NO |
| | _____ | | |
| CONSTRUCTION NOTES: | _____ | APPROVED? | YES NO |
| | _____ | | |
| MATERIALS NOTES: | _____ | APPROVED? | YES NO |
| OTHER NOTES: | _____ | APPROVED? | YES NO |
| | _____ | | |
| ACTION: | SAMPLE APPROVED AS IS | REQUEST NEW SAMPLE WITH ABOVE CHANGES | |
| DATE APPROVAL OR REQUEST COMMUNICATED: | _____ | | |