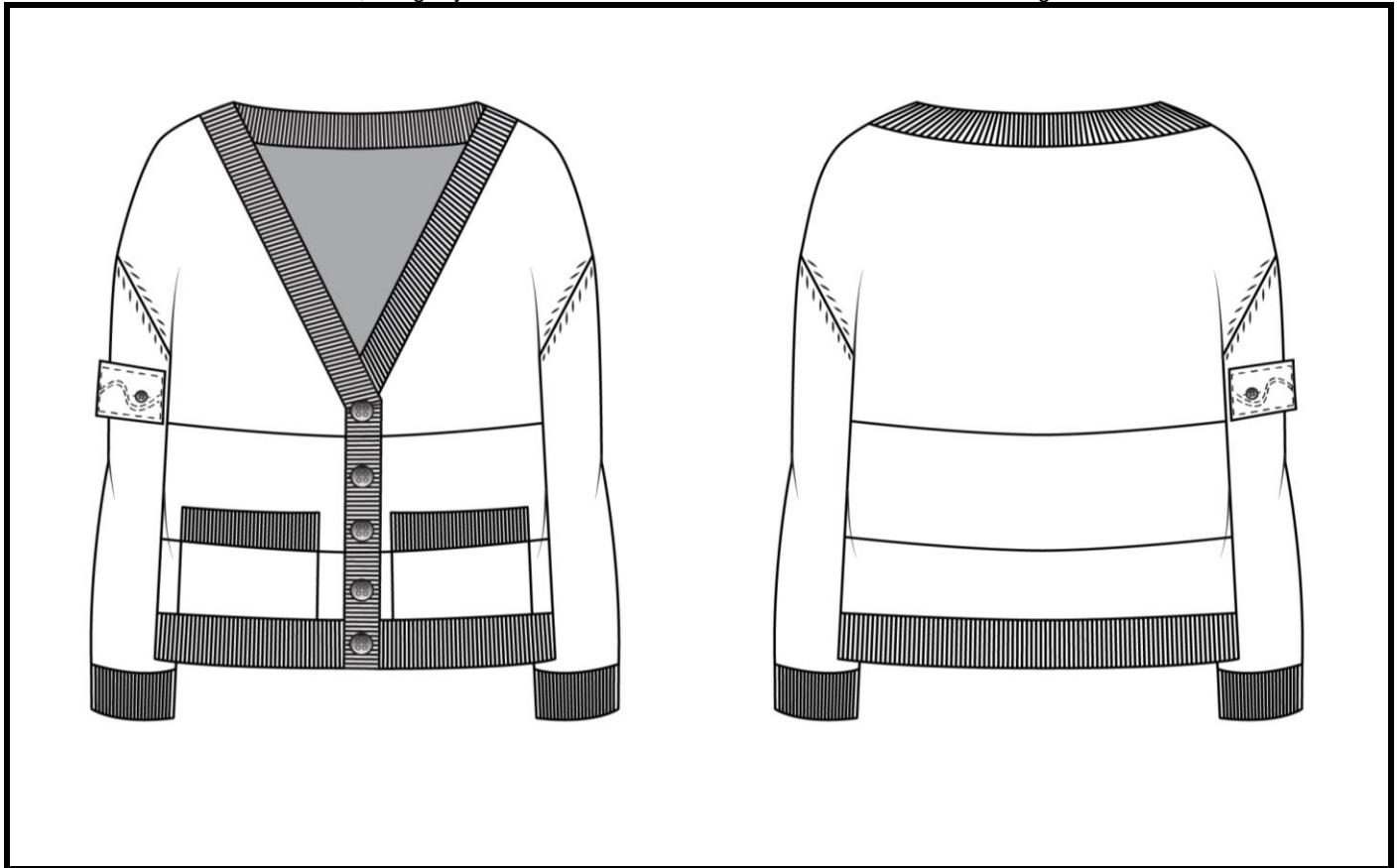


SPECIFICATIONS LEAD SHEET

STYLE NUMBER:	5102	SIZE RANGE:	S-XL
PROTO NUMBER:	1	SAMPLE SIZE:	M
MAIN LABEL:		SEASON:	SS 2023
CONTENT:	100% Organic Cotton	CATEGORY:	menswear, outerwear
CARE:	Wash in cold, hang dry	DESCRIPTION:	Ribbed cardigan



SELF FABRIC:	100% Organic Cotton	SUPPLIER:	MOOD Fabrics
CONTRAST 1:	100% Organic Cotton	SUPPLIER:	MOOD Fabrics
CONTRAST 2:		SUPPLIER:	
CONTRAST 3:		SUPPLIER:	
CONTRAST 4:		SUPPLIER:	
LINING 1:		SUPPLIER:	
LINING 2:		SUPPLIER:	
POCKETING:	100% Organic Cotton	SUPPLIER:	MOOD Fabrics
INTERFACING 1:		SUPPLIER:	
INTERFACING 2:		SUPPLIER:	
INTERFACING 3:		SUPPLIER:	
TRIM 1:	4-Hole, Marbled wood button	SUPPLIER:	Wawak Sewing
TRIM 2:	4-Hole, Plastic button	SUPPLIER:	Wawak Sewing
TRIM 3:	Arm sleeve patch	SUPPLIER:	Shopify
TRIM 4:	Arctic Descent hangtag	SUPPLIER:	Shopify
TRIM 5:	Wash and care label	SUPPLIER:	Shopify
TRIM 6:		SUPPLIER:	

LABEL PLACEMENT SHEET

STYLE NUMBER: 5102

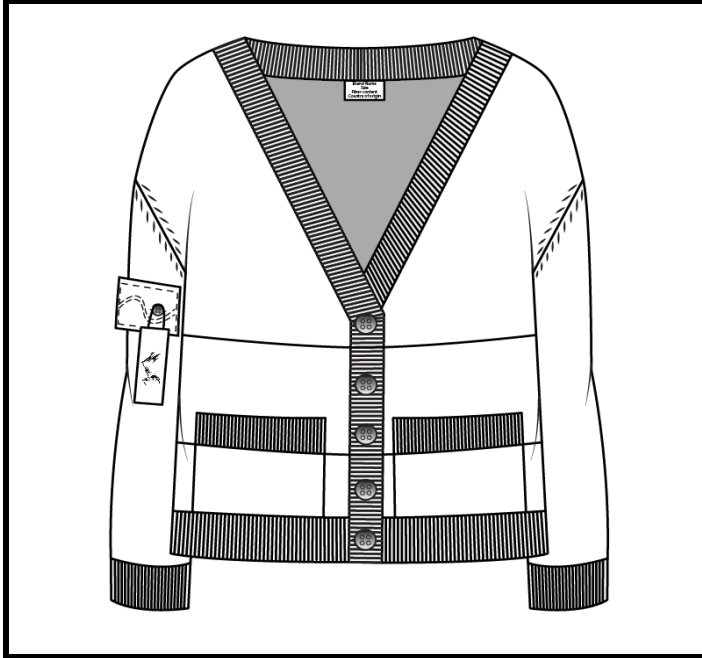
SIZE RANGE: S-XL

PROTO NUMBER: 1

SAMPLE SIZE: M

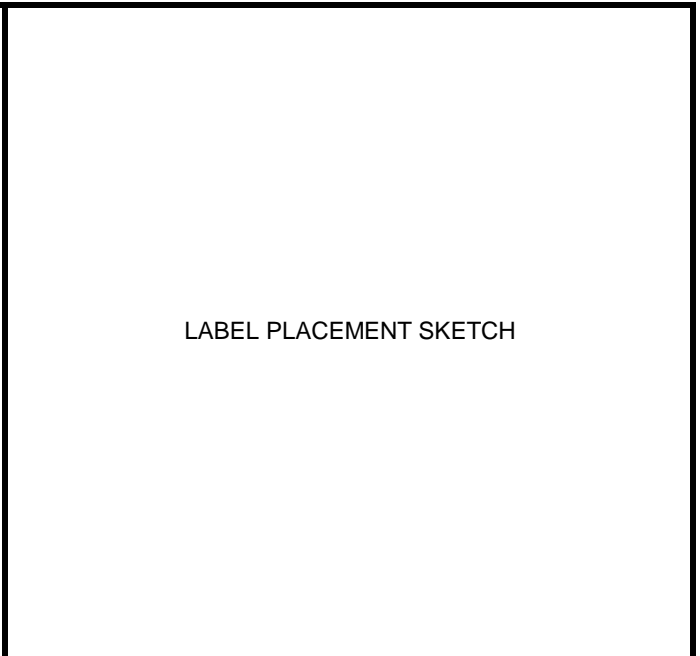
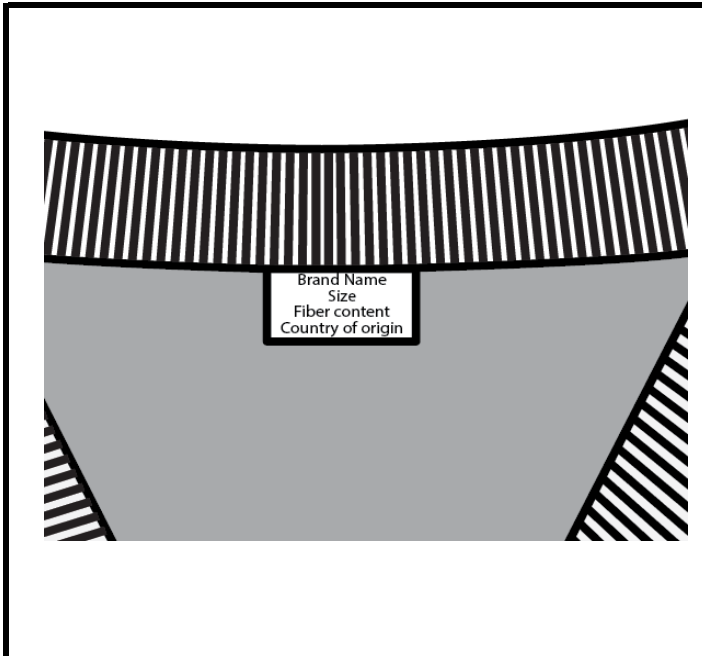
DESCRIPTION: Ribbed cardigan

SEASON: SS 2023



LABEL: Arctic Descent hangtag
Attached to arm sleeve patch

LABEL: Care label
Left side seam 4" above hem



LABEL: Brand name, size, fiber content, country of origin
Below collar on CB

LABEL:

BILL OF MATERIALS



STYLE #:	5102	FIT TYPE:	Oversized, Baggy	DESIGNER	Isaac Silva
FABRIC:	100% Organic Cotton	SIZE RANGE:	S-XL	SEASON:	SS 2023
SAMPLE SIZE:	M	STATUS:	Prototype-1		

FABRIC							
ITEM	PLACEMENT	SUPPLIER	CONTENT	WIDTH / WEIGHT / SIZE	FINISH	YIELD	COST
SELF FABRIC	Body	MOOD Fabrics	100% Organic Cotton	57"	pre-shrunk	2 yds.	\$32.98
BIAS BINDING	-	-	-	-	-	-	-
POCKETING	Hand pockets	MOOD Fabrics	100% Organic Cotton	57"	pre-shrunk	1/2 yd.	\$8.25
THREAD-DTM BODY	Join & overlock	A & E	100% Spun polyester	tex 30	-	1 spool	\$0.99
THREAD-CONTRAST	-	-	-	-	-	-	-

HARDWARE							
ITEM	PLACEMENT	SUPPLIER	DESCRIPTION	WIDTH	FINISH	YIELD	COST
CENTER FRONT BUTTON:	CF PLKT	Wawak Sewing	4-Hole, Marbled wood button	28L	-	5	\$1.25
BUTTON:	Each side of arm sleeve patch	Wawak Sewing	4-Hole, Plastic button	20L	-	2	\$0.14
EXTRA BUTTON:	Interior sideseam right side	Wawak Sewing	4-Hole, Marbled wood button	28L	-	2	\$0.50
ARM SLEEVE PATCH:	Right sleeve	Shopify	Wave motif topstitched patch	5"	-	1	\$1.00

LABELING/ PACKAGING							
ITEM	PLACEMENT	SUPPLIER	DESCRIPTION	WIDTH	FINISH	YIELD	COST
HANGTAG	Attached to front welt pocket	Shopify	Arctic Descent Hangtag	2" X 4"	matte	1	\$2
INTERIOR LABEL	Left side seam 4" above hem	Shopify	Wash and care label	1" X 3"	none	1	\$1
	Below collar on CB	Shopify	Brand, Size, Fiber content, Country of origin	1.5" X 1.5"	none	1	\$0.50

FABRIC SWATCHES:

CONSTRUCTION DETAILS SHEET

STYLE NUMBER: 5102

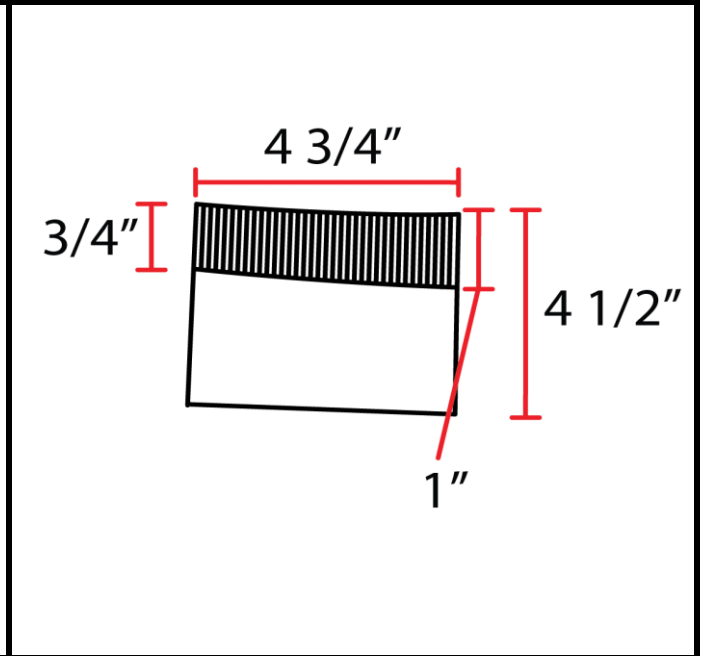
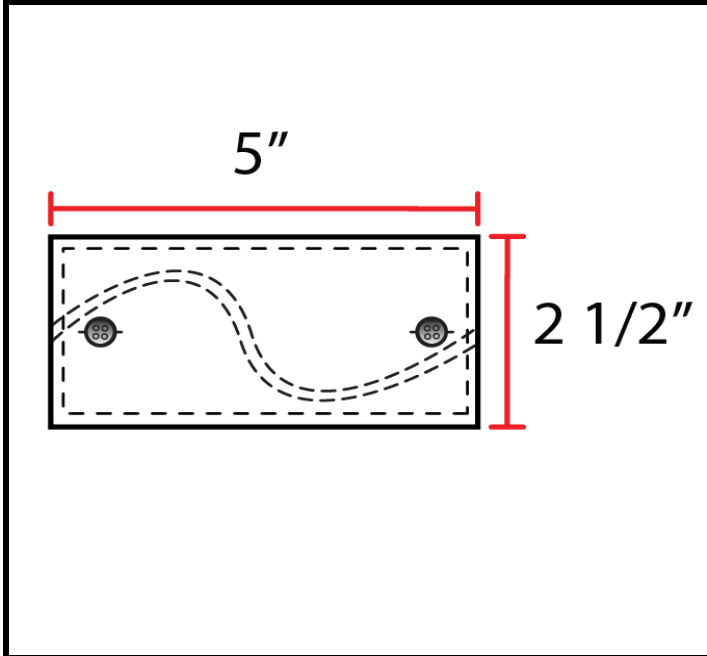
SIZE RANGE: S-XL

PROTO NUMBER: 1

SAMPLE SIZE: M

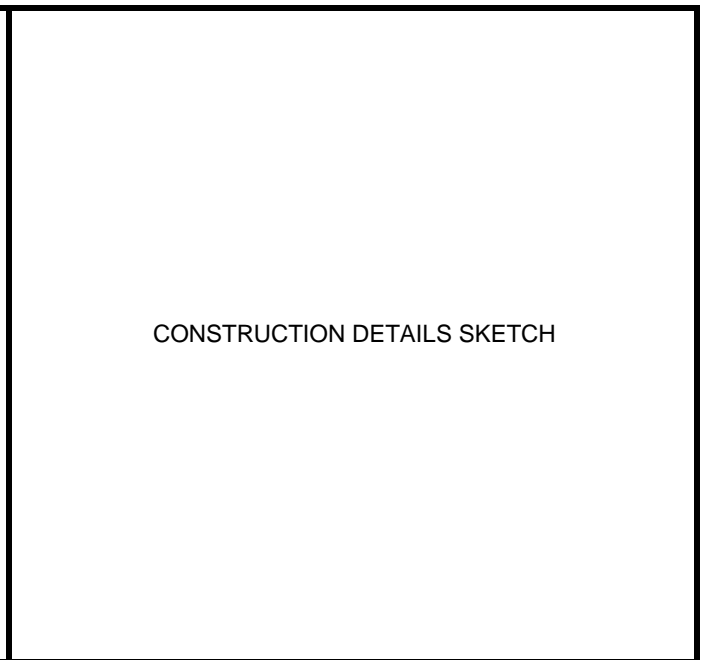
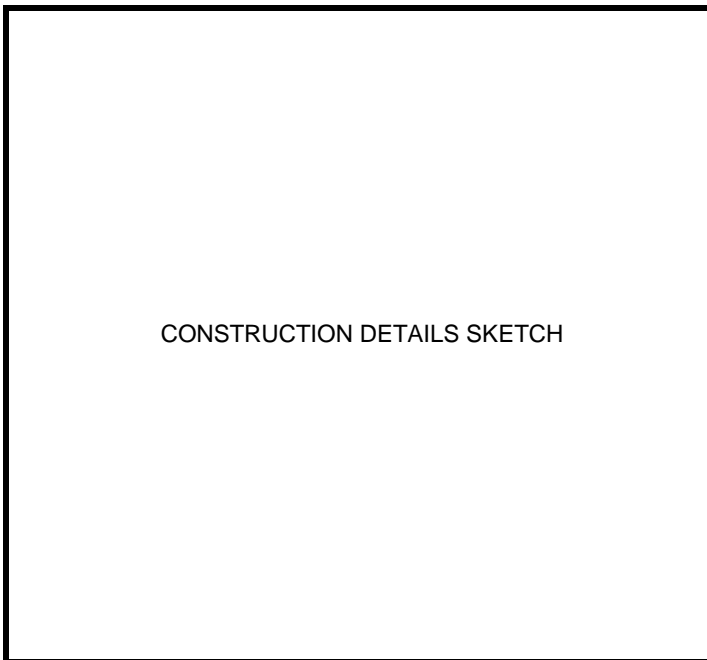
DESCRIPTION: Ribbed cardigan

SEASON: SS 2023



CONSTRUCTION DETAIL NUMBER & DESCRIPTION:
Arm sleeve patch with wave motif topstitching

CONSTRUCTION DETAIL NUMBER & DESCRIPTION:
Front pockets with ribbing along top



CONSTRUCTION DETAIL NUMBER & DESCRIPTION:

CONSTRUCTION DETAIL NUMBER & DESCRIPTION:

Construction Page

STYLE #: 5102		FIT TYPE: Oversized, Baggy		DESIGNER: Isaac Silva	
FABRIC: 100% Organic Cotton		SIZE RANGE: S-XL		SEASON: SS 2023	
Cutting Information: 1 way, lengthwise					
Stitches per Inch (SPI) 11 +/- 1 for joining, 8 +/- for topstitching					
AREA	DESCRIPTION	JOIN STITCH	SEAM FINISH	TOPSTITCH	INTER-LINING
FRNT & BCK	join	3-thread overlock	double-stitched	-	-
FRNT PLCKT	join	3-thread overlock	double-stitched	-	-
SLEEVES	join	5-thread safety	5-thread safety	-	-
FRONT POCKETS	see detail sketches	single-needle lock		-	-
ARM HOLE	join & topstitch	single-needle lock	double-stitched	-	-
BOTTOM OPENING	hem	3-thread overlock	clean finish	-	-
CLOSURES					
BUTTON, FRNT PLCKT	Buttonhole, keyhole	-	clean finish	-	-
BUTTONHOLE	Buttonhole, keyhole	-	-	-	-

COLORWAYS SHEET

STYLE NUMBER: 5102
 PROTO NUMBER: 1
 DESCRIPTION: Ribbed cardigan

SIZE RANGE: S-XL
 SAMPLE SIZE: M
 SEASON: SS 2023

MATERIAL	DESCRIPTION	COLORWAY #1	COLORWAY #2	COLORWAY #3	COLORWAY #4
SELF FABRIC:	100% Organic Cotton	Soft Chambray 16-4016 TCX	White Alyssum 11-1001 TCX	Black 419	
THREAD 1:	100% Spun polyester	Light blue gray	White	Black	
THREAD 2:					
THREAD 3:					
CONTRAST 1:	100% Organic Cotton	White Alyssum 11-1001 TCX	Black 419	White Alyssum 11-1001 TCX	
CONTRAST 2:					
CONTRAST 3:					
CONTRAST 4:					
LINING 1:					
LINING 2:					
POCKETING:	100% Organic Cotton	Soft Chambray 16-4016 TCX	White Alyssum 11-1001 TCX	Black 419	
INTERFACING 1:					
INTERFACING 2:					
INTERFACING 3:					
TRIM 1:	4-Hole, Marbled wood button	Olive wood	-	-	
TRIM 2:	4-Hole, Plastic button	Black	Black	Black	
TRIM 3:					
TRIM 4:					
TRIM 5:					
TRIM 6:					
EMBROIDERY:					
BEADING:					
APPLIQUE:					
STITCHING:					

SAMPLE TRACKING SHEET

STYLE NUMBER:	5102	SAMPLE SIZE:	M
DESCRIPTION:	Ribbed cardigan	SEASON:	SS 2023

TYPE OF SAMPLE:	First prototype	DATE SAMPLE RECEIVED:	6/28/2022
FIT NOTES:	Chest 1" below armhole is too big reduce to 44"	APPROVED?	YES NO
CONSTRUCTION NOTES:	Neck drop front is too short adjust 7/8" Ribbing width should be 1" Increase placket width by 1/2"	APPROVED?	YES NO
MATERIALS NOTES:		APPROVED?	YES NO
OTHER NOTES:		APPROVED?	YES NO
ACTION:	SAMPLE APPROVED AS IS	REQUEST NEW SAMPLE WITH ABOVE CHANGES	
DATE APPROVAL OR REQUEST COMMUNICATED:	6/29/2022		

TYPE OF SAMPLE:	Second prototype	DATE SAMPLE RECEIVED:	7/5/2022
FIT NOTES:	Chest 1" below armhole should be 44" Cuff opening is too small increase by 1/2"	APPROVED?	YES NO
CONSTRUCTION NOTES:	Increase contrast panel width by 1/2"	APPROVED?	YES NO
MATERIALS NOTES:	Left front pocket arrived with orange stain	APPROVED?	YES NO
OTHER NOTES:		APPROVED?	YES NO
ACTION:	SAMPLE APPROVED AS IS	REQUEST NEW SAMPLE WITH ABOVE CHANGES	
DATE APPROVAL OR REQUEST COMMUNICATED:	7/7/2022		

TYPE OF SAMPLE:	Third prototype	DATE SAMPLE RECEIVED:	7/15/2022
FIT NOTES:		APPROVED?	YES NO
CONSTRUCTION NOTES:		APPROVED?	YES NO
MATERIALS NOTES:		APPROVED?	YES NO
OTHER NOTES:		APPROVED?	YES NO
ACTION:	SAMPLE APPROVED AS IS	REQUEST NEW SAMPLE WITH ABOVE CHANGES	
DATE APPROVAL OR REQUEST COMMUNICATED:	7/15/2022		