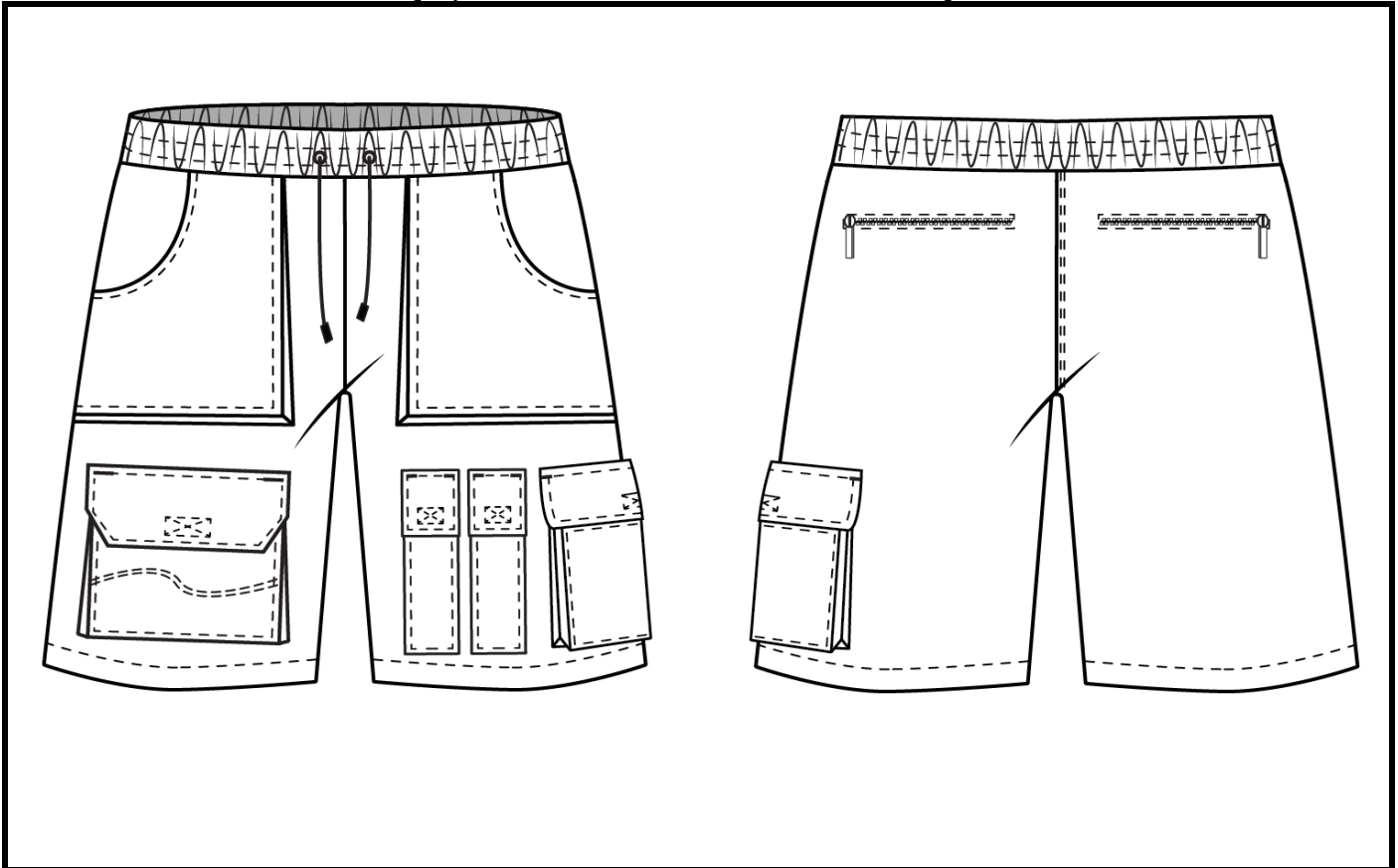


**SPECIFICATIONS LEAD SHEET**

STYLE NUMBER:	5103	SIZE RANGE:	28-38
PROTO NUMBER:	1	SAMPLE SIZE:	32
MAIN LABEL:		SEASON:	SS 2023
CONTENT:	100% Nylon	CATEGORY:	menswear, outerwear
CARE:	Wash in cold, hang dry, do not use softeners	DESCRIPTION:	Cargo shorts



SELF FABRIC:	100% Nylon	SUPPLIER:	MOOD Fabrics
CONTRAST 1:		SUPPLIER:	
CONTRAST 2:		SUPPLIER:	
CONTRAST 3:		SUPPLIER:	
CONTRAST 4:		SUPPLIER:	
LINING 1:		SUPPLIER:	
LINING 2:		SUPPLIER:	
POCKETING:	100% Nylon	SUPPLIER:	MOOD Fabrics
INTERFACING 1:		SUPPLIER:	
INTERFACING 2:		SUPPLIER:	
INTERFACING 3:		SUPPLIER:	
TRIM 1:	Polyester cord drawstring	SUPPLIER:	Wawak Sewing
TRIM 2:	Metal aglet	SUPPLIER:	Wawak Sewing
TRIM 3:	Matte metal grommet	SUPPLIER:	Wawak Sewing
TRIM 4:	Matte metal zipper	SUPPLIER:	YKK Tokyo
TRIM 5:	Velcro	SUPPLIER:	Wawak Sewing
TRIM 6:	Arctic Descent hangtag	SUPPLIER:	Shopify
TRIM 7:	Wash and care label	SUPPLIER:	Shopify

**LABEL PLACEMENT SHEET**

STYLE NUMBER: 5103

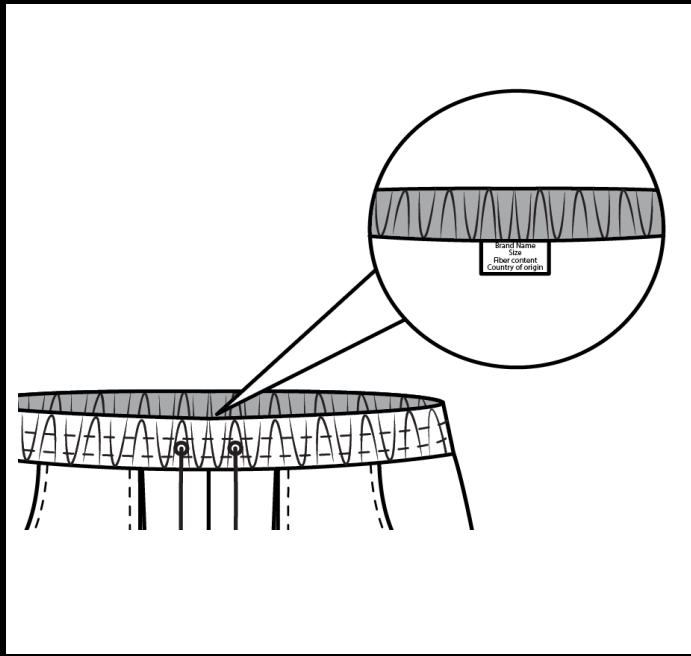
SIZE RANGE: 28-38

PROTO NUMBER: 1

SAMPLE SIZE: 32

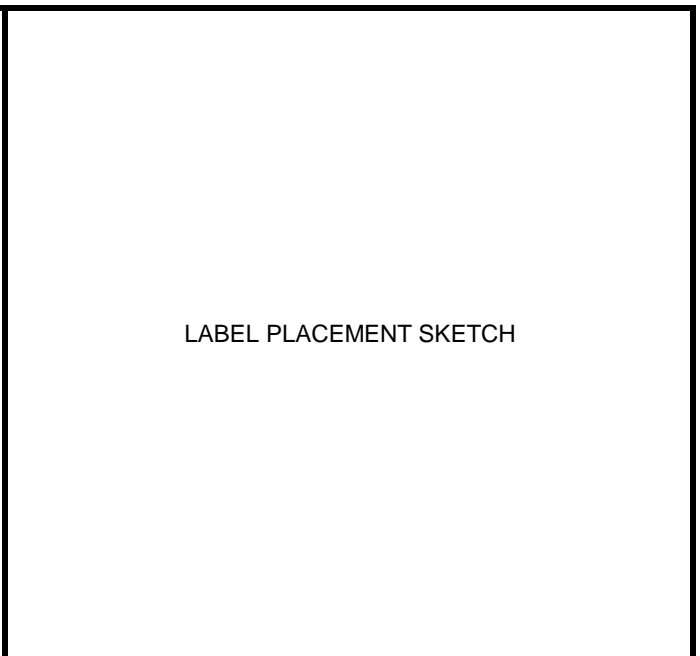
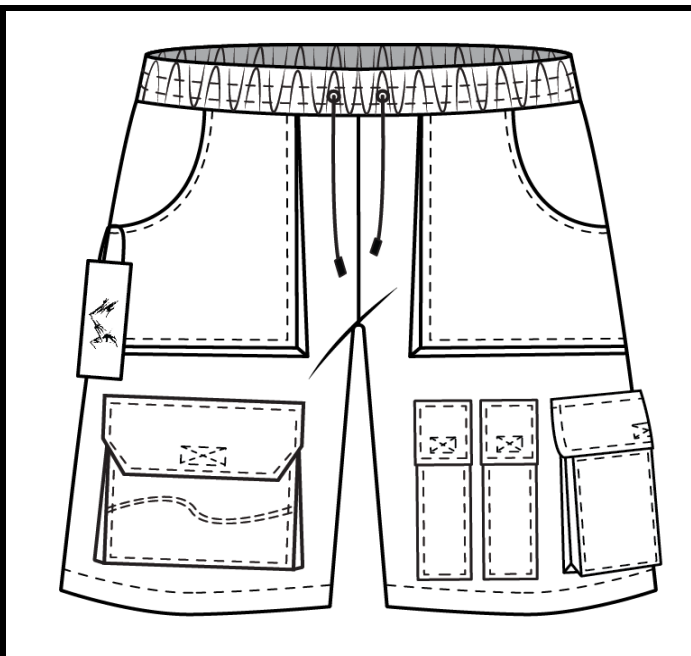
DESCRIPTION: Cargo shorts

SEASON: SS 2023



LABEL: Brand name, size, fiber content, country of origin  
Attached under waistband on CB

LABEL: Care label  
Attached under waistband on CB behind product information tag

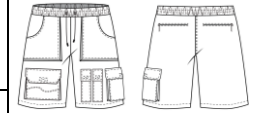


LABEL: Arctic Descent hangtag  
Attached to front hand pocket

LABEL:



## BILL OF MATERIALS



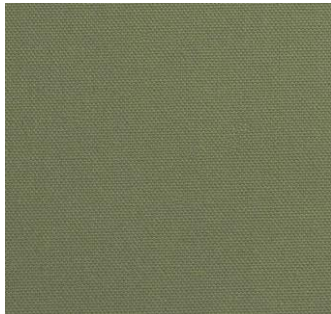
STYLE #:	<b>5103</b>	FIT TYPE:	<b>Standard, 7" Inseam</b>	DESIGNER	<b>Isaac Silva</b>
FABRIC:	100% Nylon	SIZE RANGE:	<b>28-38</b>	SEASON:	<b>SS 2023</b>
SAMPLE SIZE:	<b>32</b>	STATUS:	<b>Prototype-1</b>		

FABRIC							
ITEM	PLACEMENT	SUPPLIER	CONTENT	WIDTH / WEIGHT / SIZE	FINISH	YIELD	COST
<b>SELF FABRIC</b>	Body	MOOD Fabrics	100% Nylon	57"	crinkle	2 1/2 yds.	\$41.79
<b>BIAS BINDING</b>	-	-	-	-	-	-	-
<b>POCKETING</b>	Hand pockets	MOOD Fabrics	100% Nylon	57"	crinkle	1/2 yd.	\$8.36
<b>THREAD-DTM BODY</b>	Join & overlock	A & E	100% Spun polyester	tex 30	-	1 spool	\$0.99
<b>THREAD-CONTRAST</b>	Topstitch	A & E	100% Spun polyester	tex 90	-	1 spool	\$1.99

HARDWARE							
ITEM	PLACEMENT	SUPPLIER	DESCRIPTION	WIDTH	FINISH	YIELD	COST
<b>CENTER FRONT BUTTON:</b>	Waistband	Wawak Sewing	Matte black grommet	14L	Matte	2	\$0.15
<b>DRAWSTRING:</b>	Through waistband	Wawak Sewing	Polyester cord drawstring	-	-	1	\$0.09
<b>AGLET:</b>	End of drawstring	Wawak Sewing	Metal aglet	-	Gunmetal	2	\$0.24
<b>VELCRO:</b>	On pocket flaps	Wawak Sewing	Velcro	30"	-	1 yd.	\$0.75
<b>ZIPPER:</b>	Back pockets	YKK Tokyo	5 1/2" matte black zipper	-	Matte	2	\$1.78

LABELING/ PACKAGING							
ITEM	PLACEMENT	SUPPLIER	DESCRIPTION	WIDTH	FINISH	YIELD	COST
<b>HANGTAG</b>	Side belt loop	Shopify	Arctic Descent Hangtag	2" X 4"	matte	1	\$2
<b>INTERIOR LABEL</b>	Under waistband on CB behind product information tag	Shopify	Wash and care label	1" X 3"	none	1	\$1
	Under waistband on CB	Shopify	Brand, Size, Fiber content, Country of origin	1.5" X 1.5"	none	1	\$0.50

**FABRIC SWATCHES:**



CONSTRUCTION DETAILS SHEET

STYLE NUMBER: 5103

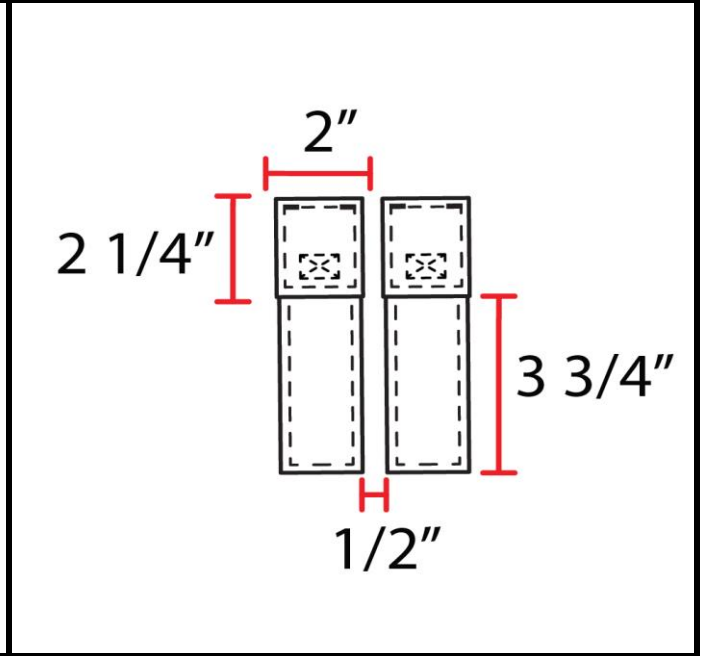
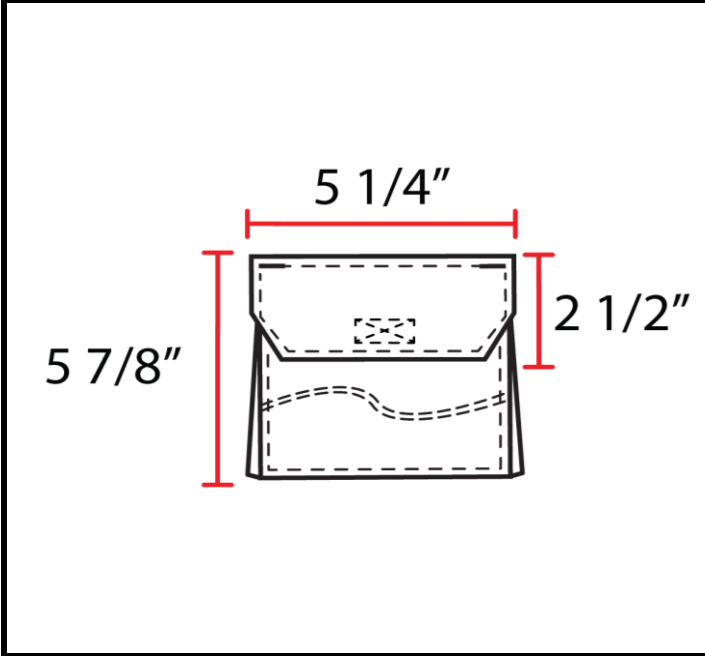
SIZE RANGE: 28-38

PROTO NUMBER: 1

SAMPLE SIZE: 32

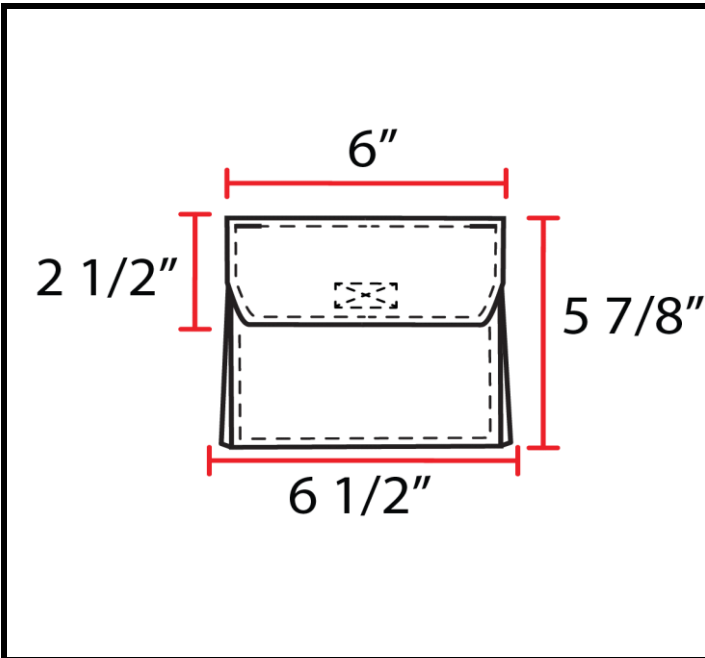
DESCRIPTION: Cargo shorts

SEASON: SS 2023



CONSTRUCTION DETAIL NUMBER & DESCRIPTION:  
Large 3D cargo pocket on CF left

CONSTRUCTION DETAIL NUMBER & DESCRIPTION:  
Cargo pocket small pockets on CF right



CONSTRUCTION DETAILS SKETCH

CONSTRUCTION DETAIL NUMBER & DESCRIPTION:  
Large 3D cargo pocket centered on wearers left side seam

CONSTRUCTION DETAIL NUMBER & DESCRIPTION:

# *Construction Page*

<b>STYLE #:</b> 5103		<b>FIT TYPE:</b> Standard, 7" Inseam		<b>DESIGNER:</b> Isaac Silva	
<b>FABRIC:</b> 100% Nylon		<b>SIZE RANGE:</b> 28-38		<b>SEASON:</b> SS 2023	
Cutting Information: 1 way, lengthwise					
Stitches per Inch (SPI) 11 +/- 1 for joining, 8 +/- for topstitching					
AREA	DESCRIPTION	JOIN STITCH	SEAM FINISH	TOPSTITCH	INTER-LINING
BACK RISE, INSEAMS	join & topstitch	single-needle lock	double-stitched	two needle lock (to match flatfell)	-
FRONT RISE	join & topstitch	single-needle lock	double-stitched	1/4"	-
SIDSEAMS	join	5-thread safety	5-thread safety	1/4"	-
BARTACKS	see detail sketches	-	-	1/2"	-
HAND POCKET, SIDE FRONT	palm side, shell to pkt bag	1/4" two-needle top-and-bottom coverstitch		1/4"	-
HAND POCKET BAG	French seam across bottom	single-needle lock	-	1/4"	-
BOTTOM OPENING	hem	single-needle lock	clean finish	1/2"	-
<b>CLOSURES</b>					
BACK ZIPPER POCKET	join & topstitch	single-needle lock	-	1/4"	-

**COLORWAYS SHEET**

STYLE NUMBER: 5103  
 PROTO NUMBER: 1  
 DESCRIPTION: Cargo shorts

SIZE RANGE: 28-38  
 SAMPLE SIZE: 32  
 SEASON: SS 2023

MATERIAL	DESCRIPTION	COLORWAY #1	COLORWAY #2	COLORWAY #3	COLORWAY #4
SELF FABRIC:	100% Nylon	Black 419	Olive 18-0328 TCX		
THREAD 1:	100% Spun polyester	Black	Olive		
THREAD 2:	100% Spun polyester	Black	Olive		
THREAD 3:					
CONTRAST 1:					
CONTRAST 2:					
CONTRAST 3:					
CONTRAST 4:					
LINING 1:					
LINING 2:					
POCKETING:	100% Nylon	Black	Olive		
INTERFACING 1:					
INTERFACING 2:					
INTERFACING 3:					
TRIM 1:	Polyester cord drawstring	Black	Olive		
TRIM 2:	Metal aglet	Gunmetal finish	Gunmetal finish		
TRIM 3:	Matte metal grommet	Black	Olive		
TRIM 4:	Matte zipper	Black	Olive		
TRIM 5:	Velcro	Black	Black		
TRIM 6:					
EMBROIDERY:					
BEADING:					
APPLIQUE:					
STITCHING:					





**SAMPLE TRACKING SHEET**

STYLE NUMBER:	5103	SAMPLE SIZE:	32
DESCRIPTION:	Cargo shorts	SEASON:	SS 2023

TYPE OF SAMPLE:	First prototype	DATE SAMPLE RECEIVED:	6/27/2022
FIT NOTES:	Inseam too long decrease by 1/2"	APPROVED?	YES NO
CONSTRUCTION NOTES:	Hem comes up short by 1/2" Back rise height too short adjust to 8 3/8"	APPROVED?	YES NO
MATERIALS NOTES:		APPROVED?	YES NO
OTHER NOTES:		APPROVED?	YES NO
ACTION:	SAMPLE APPROVED AS IS	REQUEST NEW SAMPLE WITH ABOVE CHANGES	
DATE APPROVAL OR REQUEST COMMUNICATED:	6/28/2022		

TYPE OF SAMPLE:	Second prototype	DATE SAMPLE RECEIVED:	7/7/2022
FIT NOTES:		APPROVED?	YES NO
CONSTRUCTION NOTES:		APPROVED?	YES NO
MATERIALS NOTES:		APPROVED?	YES NO
OTHER NOTES:		APPROVED?	YES NO
ACTION:	SAMPLE APPROVED AS IS	REQUEST NEW SAMPLE WITH ABOVE CHANGES	
DATE APPROVAL OR REQUEST COMMUNICATED:	7/8/2022		

TYPE OF SAMPLE:		DATE SAMPLE RECEIVED:	
FIT NOTES:		APPROVED?	YES NO
CONSTRUCTION NOTES:		APPROVED?	YES NO
MATERIALS NOTES:		APPROVED?	YES NO
OTHER NOTES:		APPROVED?	YES NO
ACTION:	SAMPLE APPROVED AS IS	REQUEST NEW SAMPLE WITH ABOVE CHANGES	
DATE APPROVAL OR REQUEST COMMUNICATED:			